

Protoboard / Breadboard

A protoboard / breadboard is a construction base for prototyping of electronics. Because the solderless breadboard does not require soldering, it is reusable. This makes it easy to use for creating temporary prototypes and experimenting with circuit design.

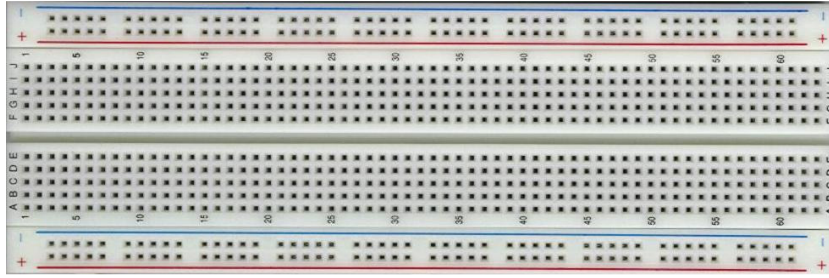


Figure 1: Photo of an actual protoboard / breadboard

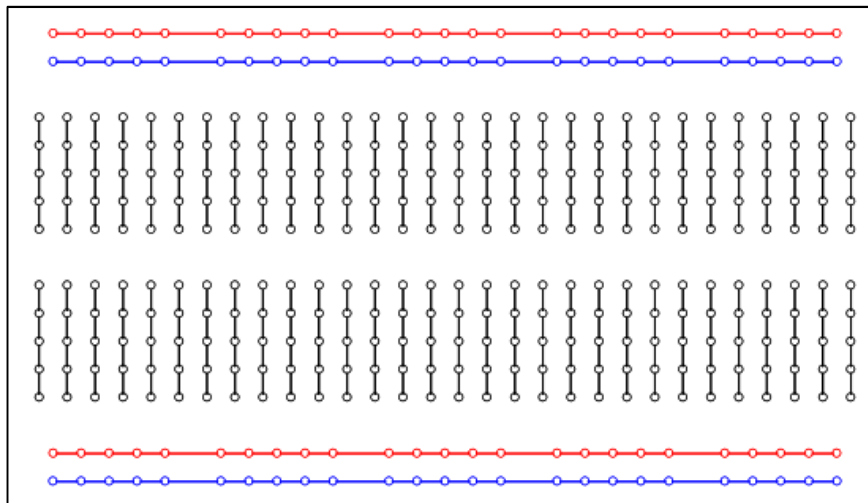


Figure 2. Internal wiring of a protoboard / breadboard

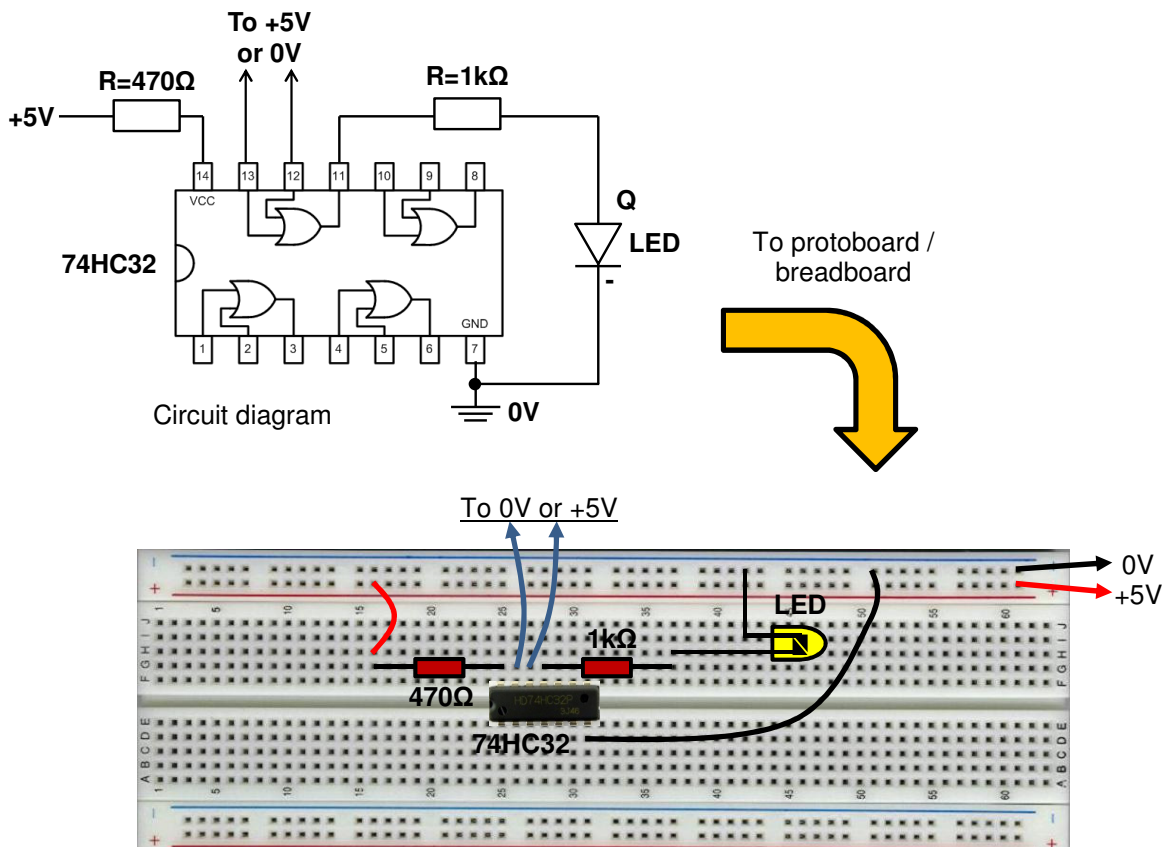


Figure 3. Example of how to place components on a protoboard / breadboard